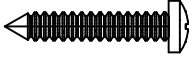


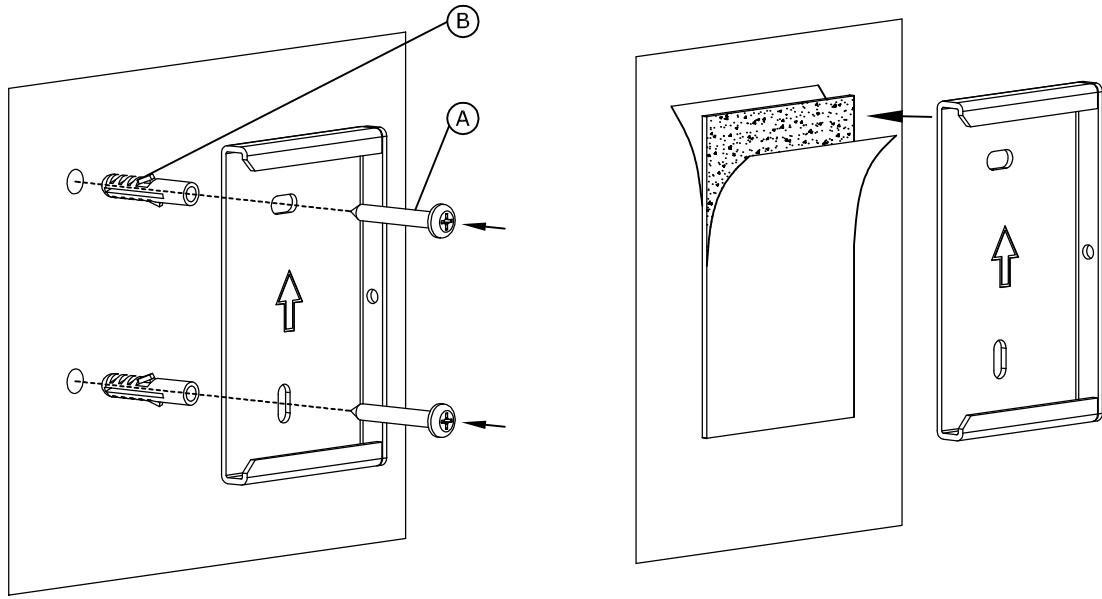


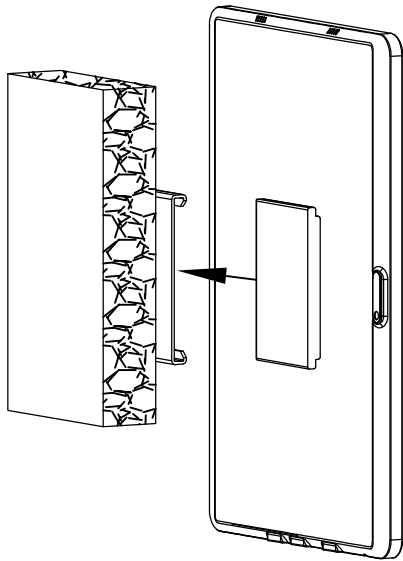
# VFS2

A	ST4×25mm 	×2	B	∅6×25mm 	×2
C	M3×8mm 	×1			

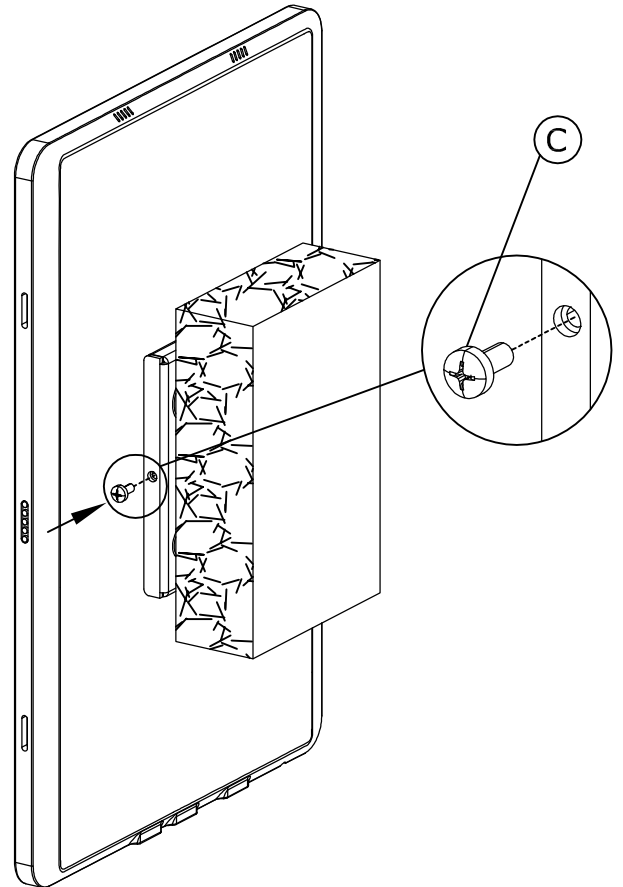
1



2



3



4

