

TECHCONNECT TC-HDMI IP

OWNERS MANUAL




www.visionaudiovisual.com/techconnect/tc-hdmiip

DECLARATION OF CONFORMITY


Where applicable Vision products are certified and comply with all known local regulations to a 'CB Certification' standard. Vision commits to ensure all products are fully compliant with all applicable certification standards for sale in the EU and other participating countries.

The product described in this owner manual is in compliance with RoHS (EU directive 2002/95/EC), and WEEE (EU directive 2002/96/EC) standards. This product should be returned to the place of purchase at the end of its useful life for recycling.


WARNINGS




CAUTION
RISK OF ELECTRIC SHOCK
DO NOT OPEN



CAUTION: TO REDUCE THE RISK OF ELECTRIC SHOCK DO NOT REMOVE COVER (OR BACK). NO USER-SERVICEABLE PARTS INSIDE. REFER SERVICING TO QUALIFIED SERVICE PERSONNEL.



The lightning flash with arrowhead symbol, within an equilateral triangle, is intended to alert the user to the presence of uninsulated "dangerous voltage" within the product's enclosure that may be of sufficient magnitude to constitute a risk of electric shock to persons.



The exclamation point within an equilateral triangle, is intended to alert the user to the presence of important operating and maintenance (servicing) instructions in the literature accompanying the appliance.

WARNING: TO REDUCE THE RISK OF FIRE OR ELECTRIC SHOCK, DO NOT EXPOSE THIS APPLIANCE TO RAIN OR MOISTURE.

All products are designed and imported into the EU by 'Vision' who is wholly owned by 'Azlan Logistics Ltd.', Registered in England Nr. 04625566 at Lion House, 4 Pioneer Business Park, Clifton Moor, York, YO30 4GH. WEEE Registration: GD0046SY



DECLARATION OF ORIGIN

All Vision products are made in the People's Republic of China (PRC).

USE ONLY DOMESTIC AC OUTLETS

Connecting the unit to an outlet supplying a higher voltage may create a fire hazard.

HANDLE THE POWER CORD WITH CARE

Do not disconnect the plug from the AC outlet by pulling the cord; always pull the plug itself. Pulling the cord may damage it. If you do not intend to use your unit for any considerable length of time, unplug the unit. Do not place furniture or other heavy objects on the cord, and try to avoid dropping heavy objects on it. Do not tie a knot in the power cord. Not only could the cord be damaged, but a short circuit could also be caused with a consequent fire hazard.

PLACE OF INSTALLATION

Avoid installing this product under the following conditions:

- Moist or humid places
- Places exposed to direct sunlight or close to heating equipment
- Extremely cold locations
- Places subject to excessive vibration or dust
- Poorly ventilated places

Do not expose this product to dripping or splashing. **DO NOT PLACE OBJECTS FILLED WITH LIQUIDS ON OR NEAR THIS PRODUCT!**

MOVING THE UNIT

Before moving the unit, be sure to pull out the power cord from the AC outlet and disconnect the interconnection cords with other units.

WARNING SIGNS

If you detect an abnormal smell or smoke, turn this product off immediately and unplug the power cord. Contact your reseller or Vision.

PACKAGING

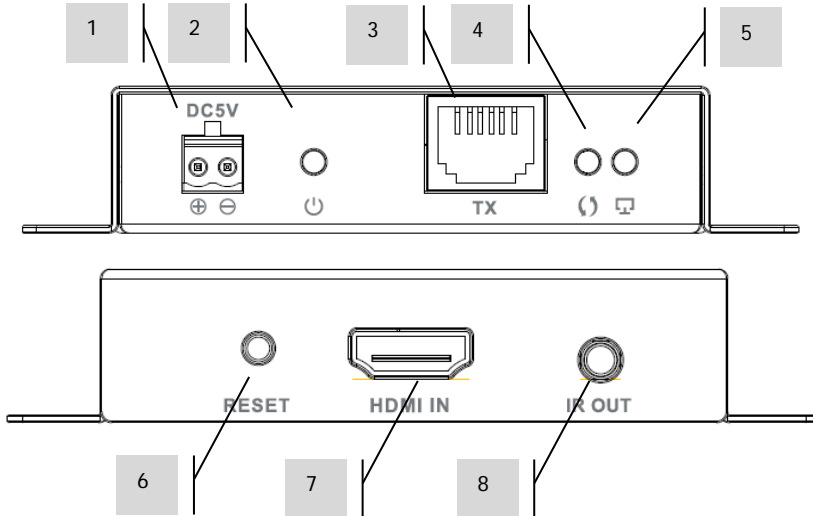
Save all packing material. It is essential for shipping in the event the unit ever needs repair.

IF ORIGINAL PACKAGING IS NOT USED TO RETURN THE UNIT TO THE SERVICE CENTRE, DAMAGE IN TRANSIT WILL NOT BE COVERED BY WARRANTY.

OVERVIEW

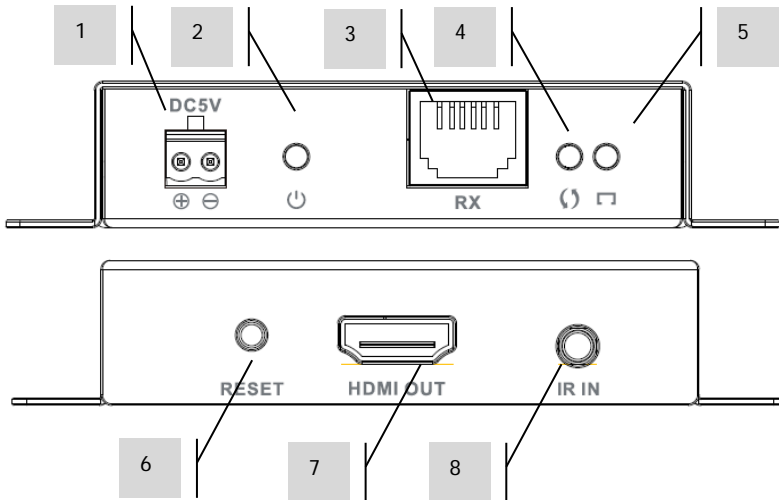
This product converts HDMI signal into native ethernet signal and allows the signal to be routed through a normal local area network. It extends image and audio.

TRANSMITTER



1. 5V 2A Power input
2. Power LED (requires external power supplies at both ends, does not work with PoE)
3. CAT5e/6 Output
4. Data Transmission LED
5. Link LED (if this is not lighting check ethernet cable)
6. Reset Button
7. HDMI Input from source
8. IR blaster 3.5mm Minijack socket

RECEIVER

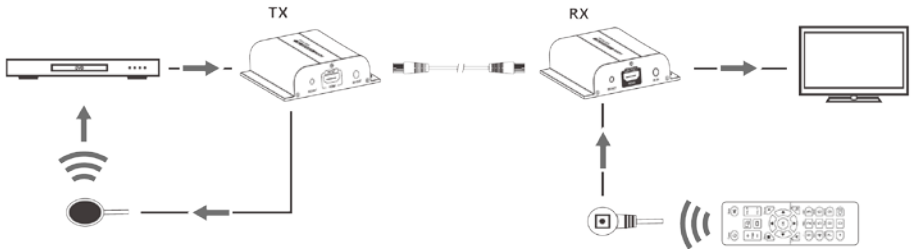


1. 5V 2A Power input
2. Power LED (requires external power supplies at both ends, does not work with PoE)
3. CAT5e/6 Input
4. Data Transmission LED (slow flashing means connecting, fast flashing shows data transfer)
5. Link LED (if this is not lighting check ethernet cable)
6. Reset Button
7. HDMI Output to display
8. IR blaster 3.5mm Minijack socket

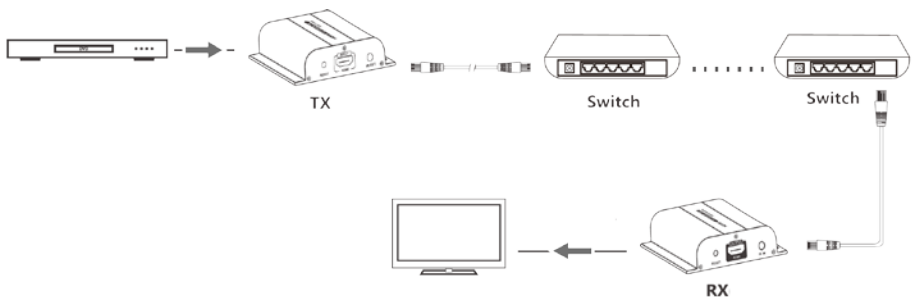
INSTALLATION

The transmitters and receivers are plug and play. Diagnosis is done via the status lights on the devices. There is no online device management with this product.

1.1 CONNECT DIRECTLY. Use CAT6 cable up to 150 metres (4 ft) long. With very high quality cable 150 m (492 ft) is possible.

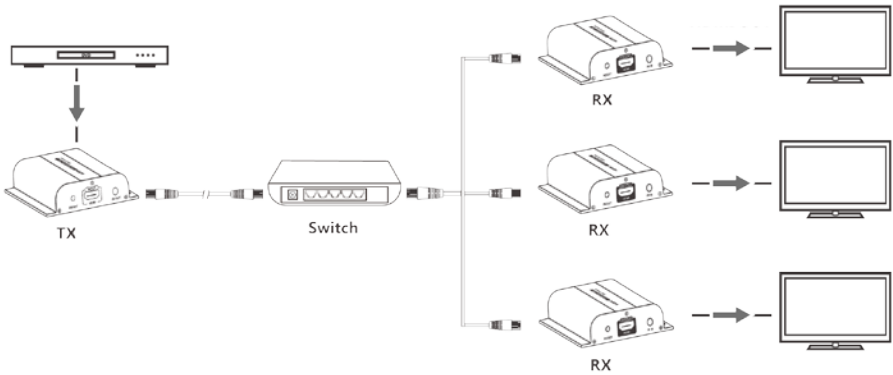


1.2 CONNECT VIA NETWORK. By routing via the network there is no cable length limitation as the signal is repeated at every node.



NOTES: All items must be on same subnet. Microwave transmitters typically do not provide enough bandwidth for this product. 18Mbps per receiver required.

1.3 CONNECT VIA NETWORK – MULTICASTING (DISTRIBUTION). All receivers will display the same image and audio.



NOTE: Multicasting uses more bandwidth. Vision recommends using a standalone Gigabit switch. It can be an unmanaged switch since IGMP snooping DOES NOT need to be activated.

MULTIPLE TRANSMITTERS

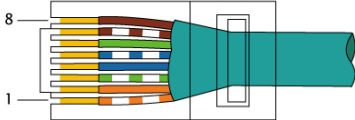
Only ONE transmitter can be used on a network. Setting up a virtual LAN does not allow you to use more transmitters.

IR DISTRIBUTION

This product passes the IR signal from the display end back to the source end. Supports most infrared signals from 20-60kHz.

TROUBLESHOOTING

If your system is not operating properly, please refer to the following information. If the problem persists, disconnect from power and contact your AV reseller immediately.

Problem	Correction
No light	<ul style="list-style-type: none">• Check network cable• Network cable is too long (network cables are limited to 100m (300') between devices)
Image flashing or colour incorrect	<ul style="list-style-type: none">• Press reset button• Check CAT5e/6 cable wiring. It should be wired to 568B standard at both ends:  <p data-bbox="400 730 946 783">If one end has green and orange swapped this is a cross-over cable and cannot be used.</p>

SPECIFICATIONS

TRANSMITTER DIMENSIONS: 97 x 94 x 24 mm / 3.82" x 3.70" x 0.94" (length x width x height)

RECEIVER DIMENSIONS: as above

PACKAGED DIMENSIONS: 150 x 117 x 77 mm / 5.90" x 4.60" x 3.03"

PRODUCT WEIGHT: 0.145 kg / 0.31 lb per set

PACKAGED WEIGHT: 0.35 kg / 0.77 lb per set

CONSTRUCTION MATERIAL: Metal

COLOUR: White

TECHNICAL DETAILS:

Latency: 200 ms

Compression type: H.264

Standard: IEEE-568B

Cable: CAT5E/6 Shielded or Unshielded

Bandwidth: 18Mbps per receiver

HDMI Version: 1.3 (3D not supported)

HDCP Version: 1.2

Maximum cable length: 120m (394 ft)

CAT5e: 100m between ethernet devices

CAT6: 120m between ethernet devices

Maximum resolution: 1080p@50/60Hz (1920 x 1080)

Operating temperature range: 0°C ~60 °C

Operating humidity range: 20%~90%

Max Power Consumption

Transmitter: 3.5 Watts

Receiver: 3 Watts

CONNECTIVITY:

1 x HDMI (type A)

1 x RJ45

1 x 3.5mm Minijack (for IR pass-through)

1 x Phoenix (for Power)

POWER SUPPLY: 100-240v 50/60Hz AC 5 volt / 2 amp

Transformer integrated into plug. Includes interchangeable plugs: UK/EU/US/AU. DC tail length: 1.8m. Transformer dimensions: 66 x 43 x 32mm / 2.6" x 1.7" x 1.26"

ACCESSORIES INCLUDED

Transmitter: 1 x IR Blaster with 1m (3.3 ft) Cable

Receiver: 1x IR Receiver with 1m (3.3 ft) Cable

WARRANTY: Lifetime return-to-base, 2 years onsite (UK only)

COMPLIANCES: RoHS, WEEE, CE/EMC, C-TICK , FCC

ORDER PART CODE:

Tx: TC-HDMIPTX [SAP: 4234190]

Rx: TC-HDMIIPRX [SAP: 4235162]

SPARE POWER SUPPLY UNIT (PSU):

TC2 P5V2A [SAP:2940994]

LIFETIME RETURN-TO-BASE WARRANTY

This product comes with a lifetime return to base warranty. If you have a problem you are required to provide a DETAILED DESCRIPTION of the fault.

Some Vision products are very technical and require troubleshooting all elements of the installation as it may not be the Vision product at fault. Because of this the manufacturer may refuse to replace the item if an adequate description is not provided.

- This warranty applies only to the original purchaser and is not transferable.
- This warranty protects you against the following:
 - Failure of any components, including the power supply.
 - Damage when the product is first removed from its packaging if reported within 24 hours of purchase.
- If the product is DOA (dead on arrival), you have 21 days from purchase date to notify the national distributor via your AV reseller.
- The original purchaser is responsible for shipment of the product to the Vision's appointed service centre.
- The liability of Vision is limited to the cost of replacement of the faulty unit under warranty except for death or injury (EU85/374/EEC).
- If the product is end of line (EOL) the Vision will provide a credit instead of replacement.
- This warranty does not protect this product against faults caused by abuse, misuse, incorrect installation, unstable or faulty power input, or modification.

Vision aims to send a replacement item within 5 working days however this may not always be possible, in which case it will be sent as soon as practicably possible. UK End users and resellers can request support at <http://www.visionaudiovisual.com/support>

2-YEAR ONSITE WARRANTY (UK ONLY)

The manufacturer provides an onsite warranty for the first two years taken from date of sale.

This service can be requested at the url above and is provided at the manufacturer's discretion.

- This service is only provided for products which are difficult for an end user to get at and replace.
- The manufacturer will not provide the onsite service if
 - The reseller or end user has been abusive
 - The user has is taking unfair advantage of this service
- The manufacturer will pre-qualify the visit to ensure the fault relates to the Vision product.

The engineer visits are timed to ensure you are onsite and the room is accessible. A revisit WILL NOT be provided if access to the room is not provided at the arranged time. Engineers will wait 15 minutes only.

LEGAL DISCLAIMER: Because we are committed to improving our products, the details above may change without prior warning. This User Manual is published without warranty and any improvements or changes to the User Manual necessitated by typographical errors, inaccuracies of current information, or improvements to programs and/or equipment, may be made at any time and without notice. Such changes will be incorporated into new editions of the User Manual.